



RS-PI12CA02

Long Range UHF Integrated Reader

RS-PI12CA02

Long Range UHF Integrated Reader

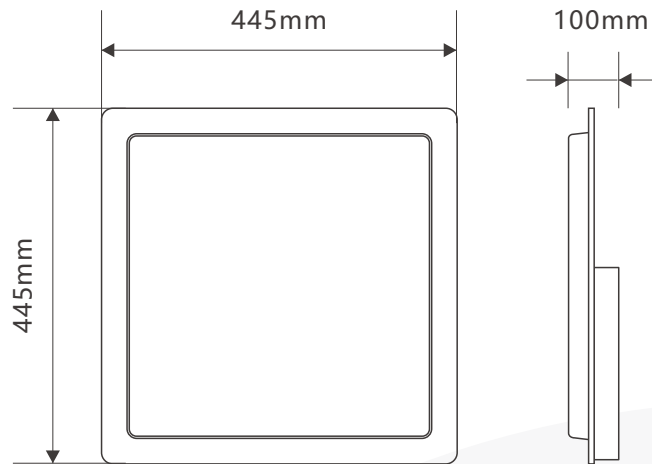


RS-PI12CA02 long range UHF integrated reader with built in 12dBi circular polarization antenna, reading range up to 20meters, portable and user-friendly, is widely used in production line automation data collection, container management, asset tracking management, personnel attendance management, warehousing and logistics management, non-parking fee management.

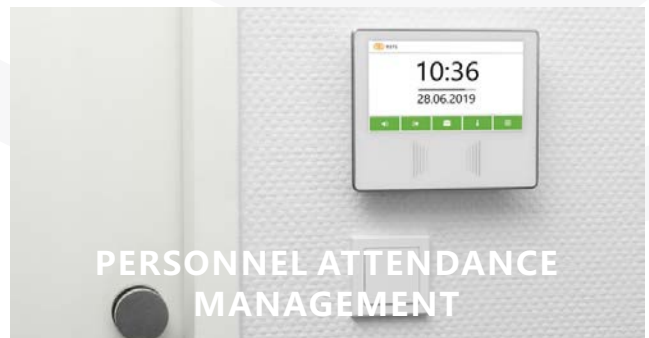
RS-PI12CA02 Long Range UHF Integrated Reader

Product Dimensions

Any discrepancy, please defer to the real product instead.



Application



RS-PI12CA02

Long Range UHF Integrated Reader

Specification

UHF	
RF Protocol	EPC C1 G2 (ISO18000-6C)
Engine	Based on Impinj E710
Frequency	North America: 902MHz~928MHz; Europe: 865MHz~868MHz; China: 920MHz~925MHz; others can be customized
Working	FHSS/ fixed frequency, set by software
Antenna Gain	Built-in 12dBi circular polarization antenna
Output Power	5dBm~33dBm stepping by 1dBm
Beam, Width	H: 40°, Ver: 40°
VSWR	≤1.3
Impedance	50 Ω
Communication Port	RS-232, RS-485, RJ45
Optional Functions	4G, Wifi
Input/Output	2 relay outputs, 2 optical isolation inputs
Reading Range	Up to 20 meters

Mechanical & Electrical Performance	
Power	DC 9~24V or PoE power supply
Maximum Power	100W
Lightning Protection	DC ground
Dimension	445×445×100mm
Radome	φ40-80mm
Weight	3.6kg
Material	ABS Industrial casing
Radome Colour	White
Work Temperature	-20°C ~ +60°C
Storage Temperature	-30°C ~ +70°C
IP Rate	IP65



RuiSing Technology Company (Hong Kong) Limited



www.rstc-hk.com



+86-755-2692 2853



sales@rstc-hk.com



HONGKONG

Shun Luen Factory Building, No.86 To Kwa Wan



SHENZHEN

9/F, Xinjing Mansion, Xinqu Blvd, Longhua District

