



RS-PI09CA01

Middle Range UHF Integrated Reader

RS-PI09CA01

Middle Range UHF Integrated Reader



RS-PI09CA01 is a middle range UHF integrated reader with built-in 9dBi circular polarization antenna, reading range up to 8 meters, portable and user-friendly, widely used asset tracking, production line, warehouse, logistic management, vehicle and personal management.

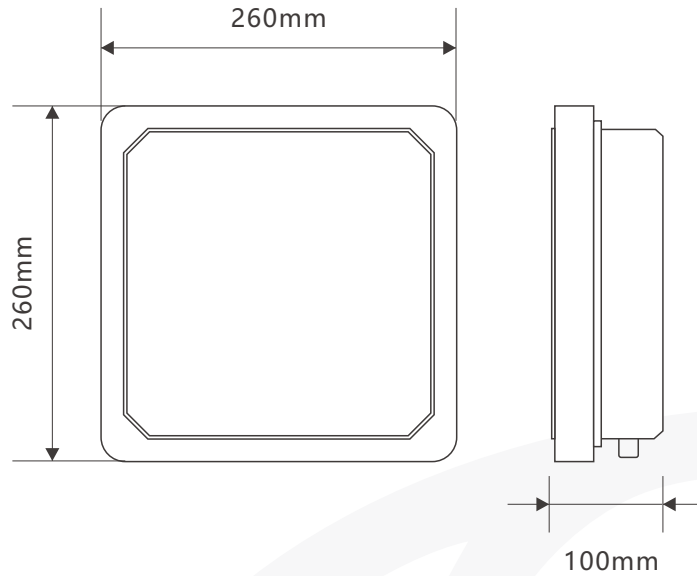
Functions

- 902-928Mhz FCC, 866-868Mhz CE, equipped with 9dBi Circular antenna
- Support standard RS-232, 10M/100M Ethernet interfaces
- Build in Indy R2000 RFID Chip, fast and accurate reading rate
- PoE optional
- Multi-reader operating under intensive environment
- Upgrade firmware online

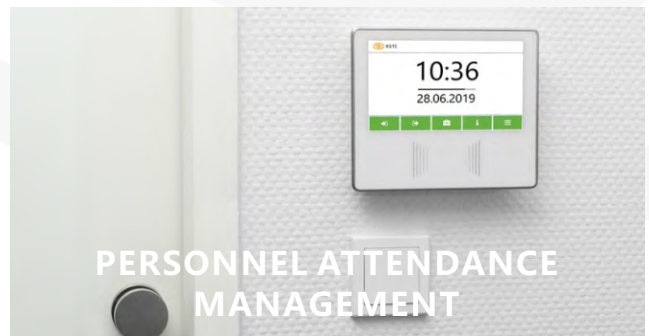
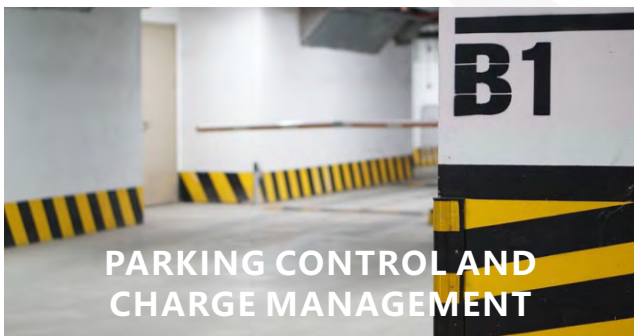
RS-PI09CA01 Middle Range UHF Integrated Reader

Product Dimensions

Any discrepancy, please defer to the real product instead.



Application



RS-PI09CA01

Middle Range UHF Integrated Reader

Specification

Performance Index	
Operating Frequency	902 - 928MHz, 865 - 868MHz, RF band customized (optional)
Frequency Hopping	FHSS or Fixed Frequency
Output Power	+20dBm ~ +30dBm@50Ω load, 1dBm each step
Antenna	Built-in 9dBi Circular Polarization antenna
Communication Interfaces	RS-232, RS-485, 10M/100M Ethernet interfaces
Optional Interfaces	Wiegand 26/34
Firmware Update	Ethernet
Application Software Platform	API, C++, C#) development kit (can be customized)

Tag Operation	
Tag Protocol	EPC Class 1 Gen 2(ISO18000-6C)
Reading Range	0~8m (depends on antenna configuration)
Writing Range	0~3m

Mechanical/Electric Performance	
Indicator	Buzzer, LED (Power, Antenna, Read)
Product Dimension	260mm x 260mm x 100mm (excluding stand)
Package Dimension	400mm×310mm×120mm
Net Weight	2.25kg
Gross Weight	3.39kg
IP Rating	IP65
Power	DC 12V input, power adapter
Power Assumption	2W(Standby), 10W(Working)
Operating Temperature	-40°C ~ +60°C
Storage Temperature	-60°C ~ +80°C
Humidity	5% ~ 95%(non-condensing)



RuiSing Technology Company (Hong Kong) Limited

 11/F, Haribest industrial building, Nos 45-47 Au Pui Wan Street, Shatin, Hong Kong

 www.rstchk.com



+852-6876 5793



sales@rstc-hk.com

